

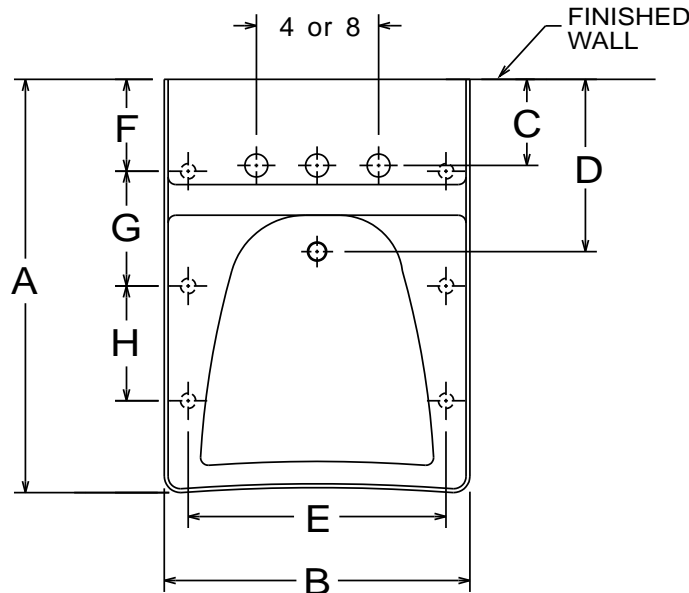
INSTALLATION INSTRUCTIONS

1H360 1H364 WHEELCHAIR LAVATORIES

Thank you for selecting the Crane Plumbing wheelchair lavatory. Check lavatory for damage before installation. To insure this product is installed properly, please read these instructions carefully before you begin. Be sure your installation conforms to local codes.

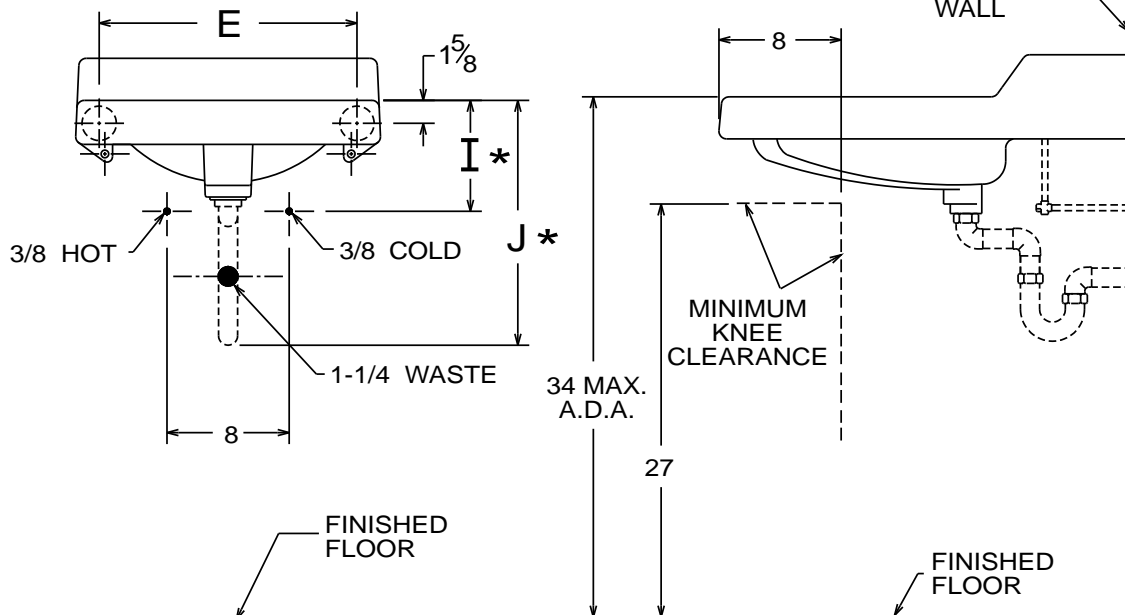
Note suggested fitting locations in diagram. Install hot and cold water supply and waste pipe. These items may be installed through the wall as shown or from the floor.

Lavatory must be installed using an in the wall pipe style lavatory carrier arm support. Example: Zurn-ZR 1231-79. Carrier furnished by others. Install carrier following instructions provided by the manufacturer.



PRODUCT DIMENSIONS

	1H360	1H364
A	27	22-3/4
B	20	19-5/8
C	5-5/8	3-1/2
D	11-1/4	7-1/4
E	16-7/8	17-1/4
F	6	6
G	7-1/4	6
H	7-1/2	6
I	7-1/4	10-1/4
H	16	13



* Suggested dimension - variable depending on type of supply and waste.

Roughing in dimensions for chair carrier should be obtained direct from manufacturer of carrier. Lavatory complies with Americans With Disabilities Act when mounted at rim height of 34" maximum. Install lavatory over carrier arms and adjust carrier as required. Lag bolt lavatory to wall through bolt holes in the china.

Install preferred faucet and drain fitting on unit. Fittings are provided by others. Install according to instructions provided by the manufacturer. Connect water supplies and waste. Note in the diagram the minimum knee clearance. Turn on water and check for leaks. Crane plumbing is not responsible for leaking connections.