



**Low Consumption
Closet Combination**
Vitreous China

FEATURES

- **3842 Radcliffe™ II**

Bowl: 3352 Galaxy® II (1.6 gpf / 6.0 lpf), regular rim, vitreous china, siphon action with bolt caps.

Tank: 3544 Deluxe Radcliffe™ 12" rough-in vitreous china tank and cover with flushvalve, float valve with backflow preventer, and chrome plated trip lever.

- **3843 Radcliffe™ II Plus**

Bowl: 3352 Galaxy® II (1.6 gpf / 6.0 lpf), regular rim, vitreous china, siphon action with bolt caps.

Tank: 3546 Deluxe Radcliffe™ Plus 12" rough-in insulated vitreous china tank and cover with flushvalve, float valve with backflow preventer, and chrome plated trip lever.

- **3852 Radcliffe™ II**

Bowl: 3372 Galaxy® II (1.6 gpf / 6.0 lpf) elongated rim, vitreous china, siphon action bowl with bolt caps.

Tank: 3544 Deluxe Radcliffe™ 12" rough-in vitreous china tank and cover with flushvalve, float valve with backflow preventer, and chrome plated trip lever.

- **3853 Radcliffe™ II Plus**

Bowl: 3372 Galaxy® II (1.6 gpf / 6.0 lpf) elongated rim, vitreous china, siphon action bowl with bolt caps.

Tank: 3546 Deluxe Radcliffe™ Plus 12" rough-in insulated vitreous china tank and cover with flushvalve, float valve with backflow preventer, and chrome plated trip lever.

NOTES

- Fixture conform to ANSI/ASME A112.19.2M standard.
- Also available with right hand trip lever model number 3549.

WATER ECONOMY FACTS

Average Gallons Per Flush	20 PSI	50 PSI	80 PSI
3842, 3843 Regular Rim	1.50	1.59	1.61
3852, 3853 Elongated Rim	1.47	1.56	1.62
TRAPWAY.....	2"		
WATER SURFACE.....	5" x 8"		
WATER SEAL.....	2 5/8"		

Supply:

Seat:

Color:

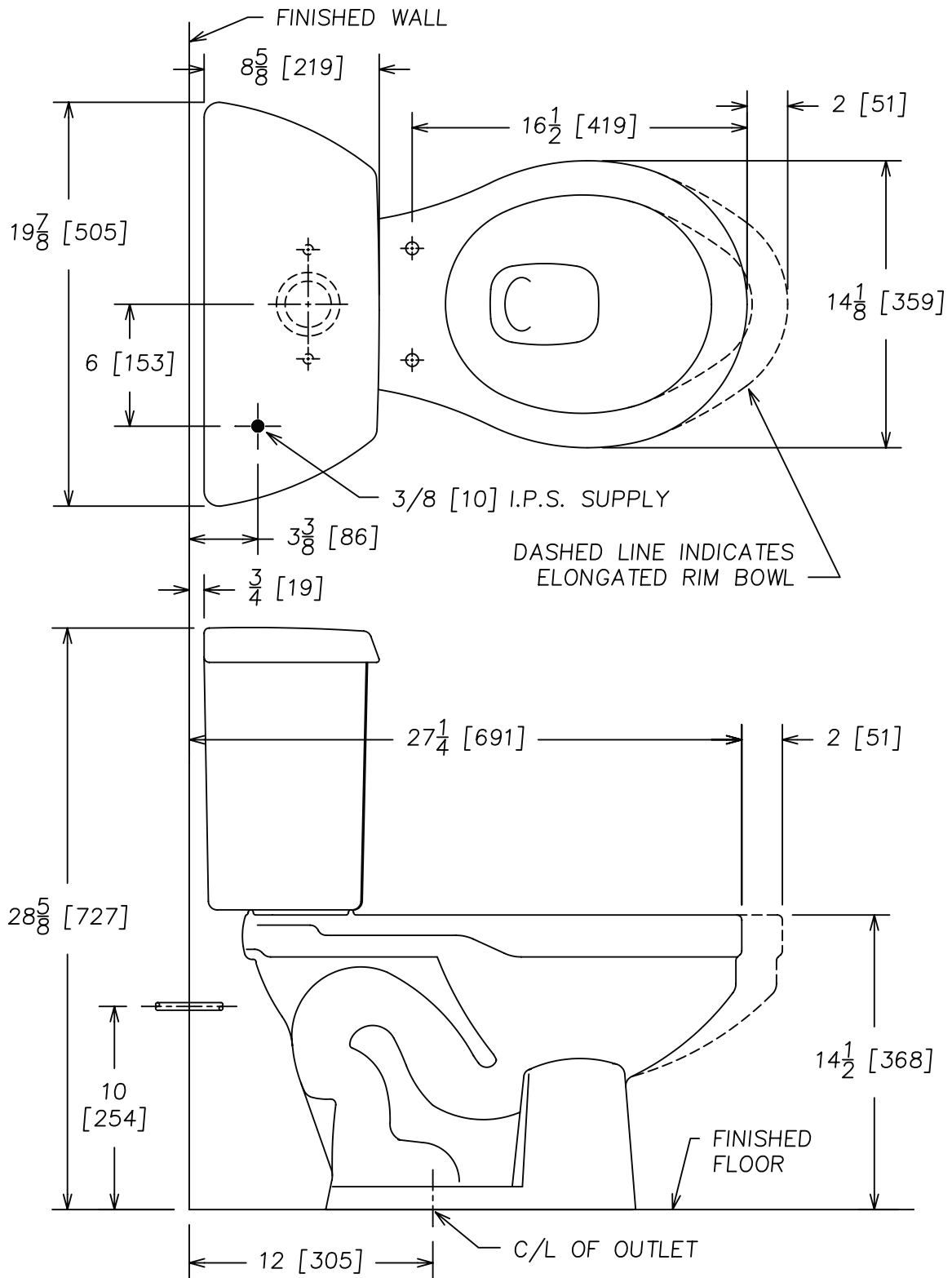


RADCLIFFE™ II

12" Rough-In Low Consumption Combination

3842 / 3843

3852 / 3853



IMPORTANT: Roughing-in dimensions may vary 1/2" and are subject to change or cancellation without prior notice.
No responsibility is assumed for use of superseded or voided leaflets.

CR/PL© 12/02 Printed in U.S.A.