

EconoMiser One™

31870
Elongated Front,
EasyHeight™, Two Piece Toilet With Bed Pan Lugs



Features

- WDI EcoFlush™ Pressure Assist Vessel
- Environmentally Friendly Flushing Technology
- High Efficiency 1.1 gpf / 4.0 lpf Flush
- Quieter Flushing Performance
- Qualifies for Many Water District Rebate Programs
- Qualifies for 2 Leeds points
- Large Water Surface Area
- Chrome Plated Trip Lever
- 2" [51mm] Fully Glazed Trapway
- 16-1/4" ADA EasyHeight™ Bowl With Bed Pan Lugs
- Available in White, Biscuit and Bone Colors
- Limited Lifetime Warranty
- No Tank Sweating or Flapper Leaking



Model # Description

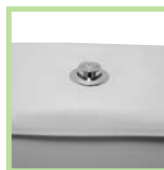
31870	Two-piece toilet combination, 16-1/4" [413mm] elongated front with bed pan lugs, 12" [305mm] rough-in. Includes EcoFlush™ pressure assist vessel and trip lever, less toilet seat and supply.
3H829	16-1/4" [413mm] ADA EasyHeight™ Elongated front with bed pan lugs, toilet bowl 12" [305mm] rough-in.
31612	Tank and cover only with left-hand trip lever.

Optional Tanks

31961	Same as 31612 with right hand trip lever
31625	Center push button tank
TP	Tamper proof locking lid (add "TP" to any tank model number)



31961 Right hand trip lever



31625 Center push button

High Efficiency Toilet

HET

ECO|FLUSH

EasyHEIGHT

ADA



This fixture qualifies according to ASME test procedures as a high efficiency toilet (HET) with an average consumption of 1.1 gpf / 4.0 lpf or less with a minimum water savings of 20%.

Specifications

Water Pressure Range: 20 to 80 P.S.I.

Flush System: EcoFlush™ Technology

Water Usage: 1.1 gpf / 4.0 lpf

Water Surface Area: 10-3/4" x 8-1/2"
[273mm x 216mm]

Trap Diameter: 2" [51mm]

Water Seal: 2-1/2" [64mm]

Shipping Cubes:

3H829 Bowl: 3.3 cf

31612 Tank: 2.5 cf

Shipping Weight:

3H829 Bowl: 55 lbs [25 kg]

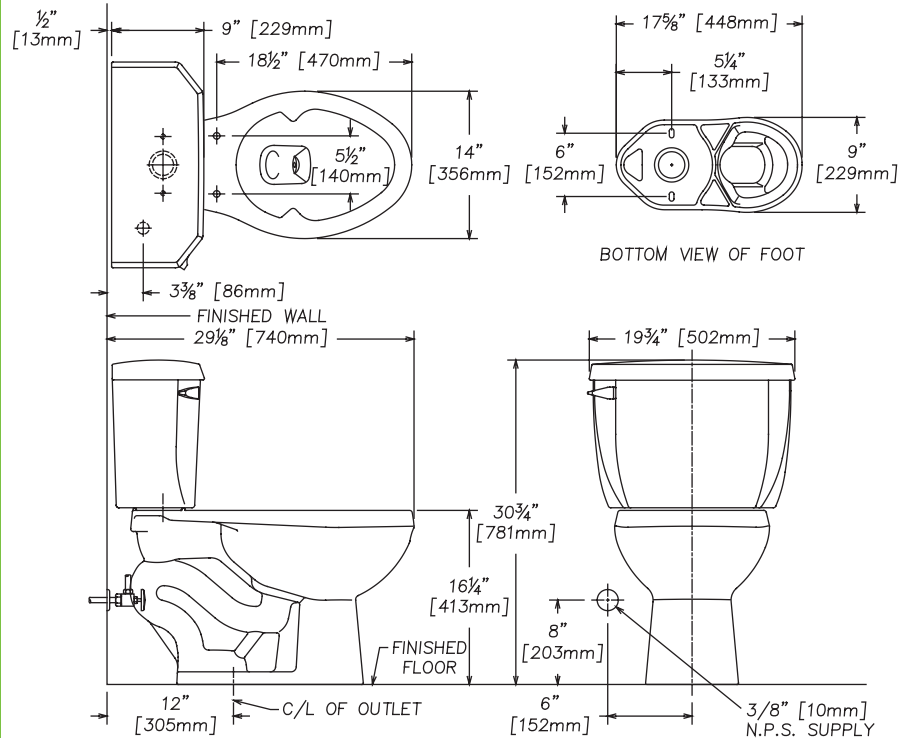
31612 Tank: 42 lbs [19 kg]

Warranty:

Vitreous China - Limited Lifetime

Vessel - Ten Year Limited

Parts - One Year Limited



IMPORTANT: These dimensions are nominal and may vary within the range of tolerances established by ASME Standard A 112.19.2

Features and Upgrades



B8104 Pressure assist vessel
Save up to 40% more water than conventional toilets.



P030378 Left hand trip lever
Available in Chrome, Polished Brass, Satin Nickel and Oil Rubbed Bronze



P030391 Center push button
Available in Chrome, Polished Brass, Satin Nickel and Oil Rubbed Bronze



P030379 Right hand trip lever
Available in Chrome, Polished Brass, Satin Nickel and Oil Rubbed Bronze

Customer Service United States
41 Cairns Road
Mansfield, OH 44903
Phone: 800.877.6678
Fax: 419.525.3169
Email: customerservice@craneplumbing.com

Customer Service Canada
15 Crane Ave.
Stratford, ON N5A 6T3
Phone: 800.463.2726
Fax: 800.845.7158
Email: sales@craneplumbing.ca

www.cranepumbing.com

CRANE PLUMBING
The Clear Choice