

ECO HYMONT™ RELAXED HEIGHT™ ELONGATED FLUSHOMETER TOILET

VITREOUS CHINA



○ 3H701

- Vitreous china
- Floor-mounted, flushometer valve toilet
- High Efficiency, Low Consumption. Operates in the range of 1.1 gpf to 1.6 gpf (4.2 Lpf to 6.0 Lpf)
- Meets definition of HET (High Efficiency Toilet) when used with a high efficiency flush valve (1.28 gpf or 1.6 / 1.1 gpf dual flush)
- Elongated bowl
- 16-3/4" rim height for accessible application
- Powerful direct-fed siphon jet action
- Fully-glazed 2" trapway
- 10" or 12" rough-in
- 9" x 8" water surface area
- 1-1/2" top spud
- 2 bolt caps included

BARRIER FREE



Nominal Dimensions at 12" Rough-In:

764 x 381 x 425mm
(30-1/16" x 15" x 16-3/4")

Fixture only, less seat and flush valve

Recommended working pressure range
25 psi - 80 psi

SEE REVERSE FOR ROUGHING-IN DIMENSIONS

Compliance Certifications -

Meets or Exceeds the Following Specifications:

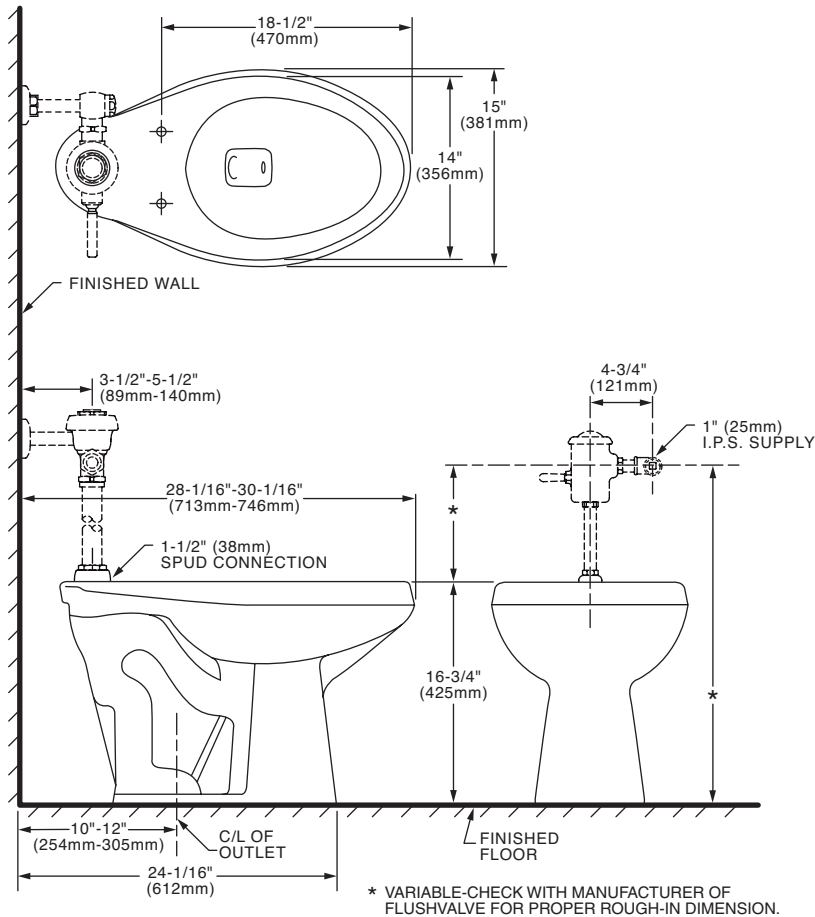
- ASME A112.19.2-2008 / CSA B45.1-08 for Vitreous China Fixtures

To Be Specified:

- Color: ○ White
- Seat:
 - Crane 8080 Lift 'n' Clean™ elongated, heavy duty plastic, closed front toilet seat with cover. Seat can be removed quickly for easy cleaning.
 - Alternate Seat:
- Flushometer Valve:
 - 1.6 gpf:
 - Sensor-Operated: American Standard Selectronic® DC Power #6065.161.002 (Top Spud)
 - Manual: American Standard #6047.161.002 (Top Spud)
 - 1.28 gpf:
 - Sensor-Operated: American Standard Selectronic® DC Power #6065.121.002 (Top Spud)
 - Manual: American Standard #6047.121.002 (Top Spud)
 - 1.6 / 1.1 gpf Dual Flush:
 - Sensor-Operated: American Standard Selectronic® DC Power #6065.761.002 (Top Spud)

ECO HYMONT™ RELAXED HEIGHT™ ELONGATED FLUSHOMETER TOILET

VITREOUS CHINA



NOTES:

TO COMPLY WITH AREA CODE GOVERNING THE HEIGHT OF VACUUM BREAKER ON THE FLUSHOMETER VALVE, THE PLUMBER MUST VERIFY DIMENSIONS SHOWN FOR SUPPLY ROUGHING.

THIS TOILET DESIGNED TO ROUGH-IN AT A MINIMUM DIMENSION OF 254MM (10") AND A MAXIMUM DIMENSION OF 305MM (12") FROM FINISHED WALL TO C/L OF OUTLET.

FLUSHOMETER VALVE NOT INCLUDED WITH FIXTURE AND MUST BE ORDERED SEPARATELY. FLUSHOMETER VALVE REQUIREMENTS FOR 12" (305MM) ROUGH-IN: SWEAT EXTENSION NIPPLE IS REQUIRED. REFER TO VALVE MANUFACTURER AND LOCAL CODES.

IMPORTANT: Dimensions of fixtures are nominal and may vary within the range of tolerances established by ANSI Standard A112.19.2. These measurements are subject to change or cancellation. No responsibility is assumed for use of superseded or voided pages.



MEETS THE AMERICANS WITH DISABILITIES ACT GUIDELINES AND ANSI A117.1 REQUIREMENTS FOR ACCESSIBLE AND USABLE BUILDING FACILITIES - CHECK LOCAL CODES.