



**Washout Wall Hung Urinal  
Vitreous China**

**FEATURES**

• **7122 Bedford™**

*7122 Bedford™ (1.0 gpf / 3.8 lpf) washout vitreous china, wall-hung urinal with integral trap and strainer, 3/4" back spud, 2" I.P.S. female back outlet connection and supporting hanger.*

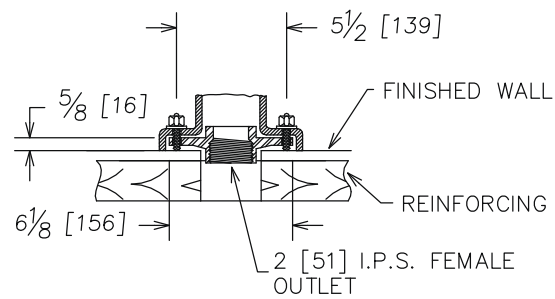
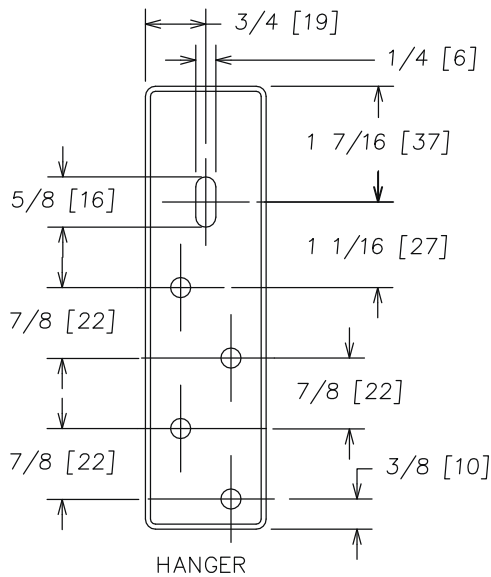
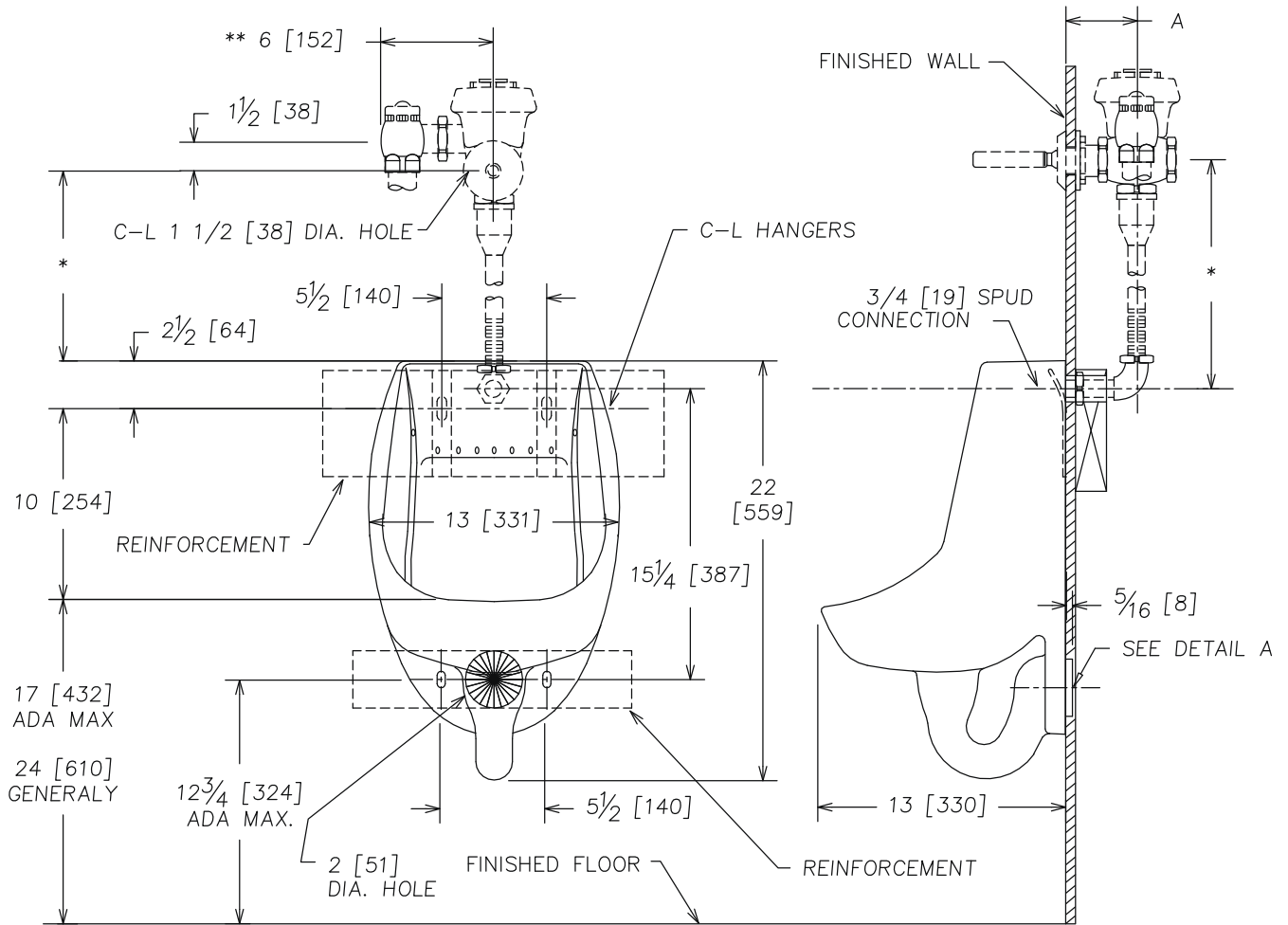
**Valve:** \* Unit is designed for 3/4" (1.0 gpf / 3.8 lpf) back inlet flush valve. Refer to flush valve manufacturer's instructions and local codes for rough-in information.

**Support:** Wall mounted with supplied concealed hanger and supporting bolts.

**NOTES**

- Fixture conforms to ANSI/ASME A112.19.2M standard.
- For efficient operation of the urinal, a minimum flowing water pressure of 15 P.S.I. is required at the valve.
- ADA Compliant when mounted at 17" maximum height.





DETAIL "A"  
OUTLET CONNECTION

NOTE: \* VARIABLE-CHECK WITH MANUFACTURER OF FLUSH VALVE FOR PROPER ROUGHING-IN DIMENSIONS.

\*\* FIXTURE COMPLIES WITH AMERICANS WITH DISABILITIES ACT WHEN MOUNTED AT RIM HEIGHT OF 17".

**IMPORTANT:** Roughing-in dimensions may vary 1/2" and are subject to change or cancellation without prior notice. No responsibility is assumed for use of superseded or voided leaflets.