



**Siphon Jet Wall Hung Urinal**  
Vitreous China

**FEATURES**

• **7307 Manhattan™**

7307 Manhattan™ (1.0 gpf / 3.8 lpf), vitreous china wall hung, siphon-jet action urinal with integral trap, 3/4" back inlet, 14" lip, 2" I.P.S. female outlet connection.

**Valve:**\* Flushvalve with vacuum breaker, 1" angle screwdriver stop and flush connection. Suggested (1.0 gpf / 3.8 lpf) flushvalves are:

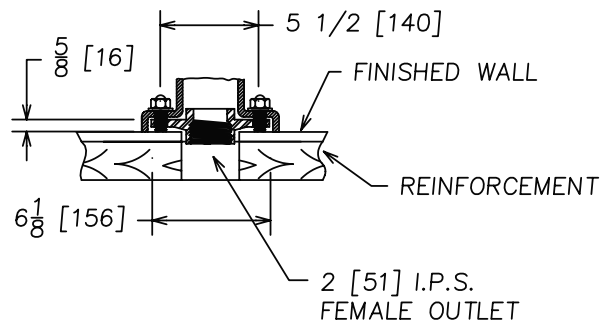
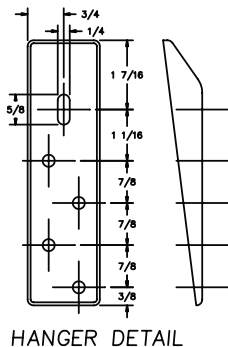
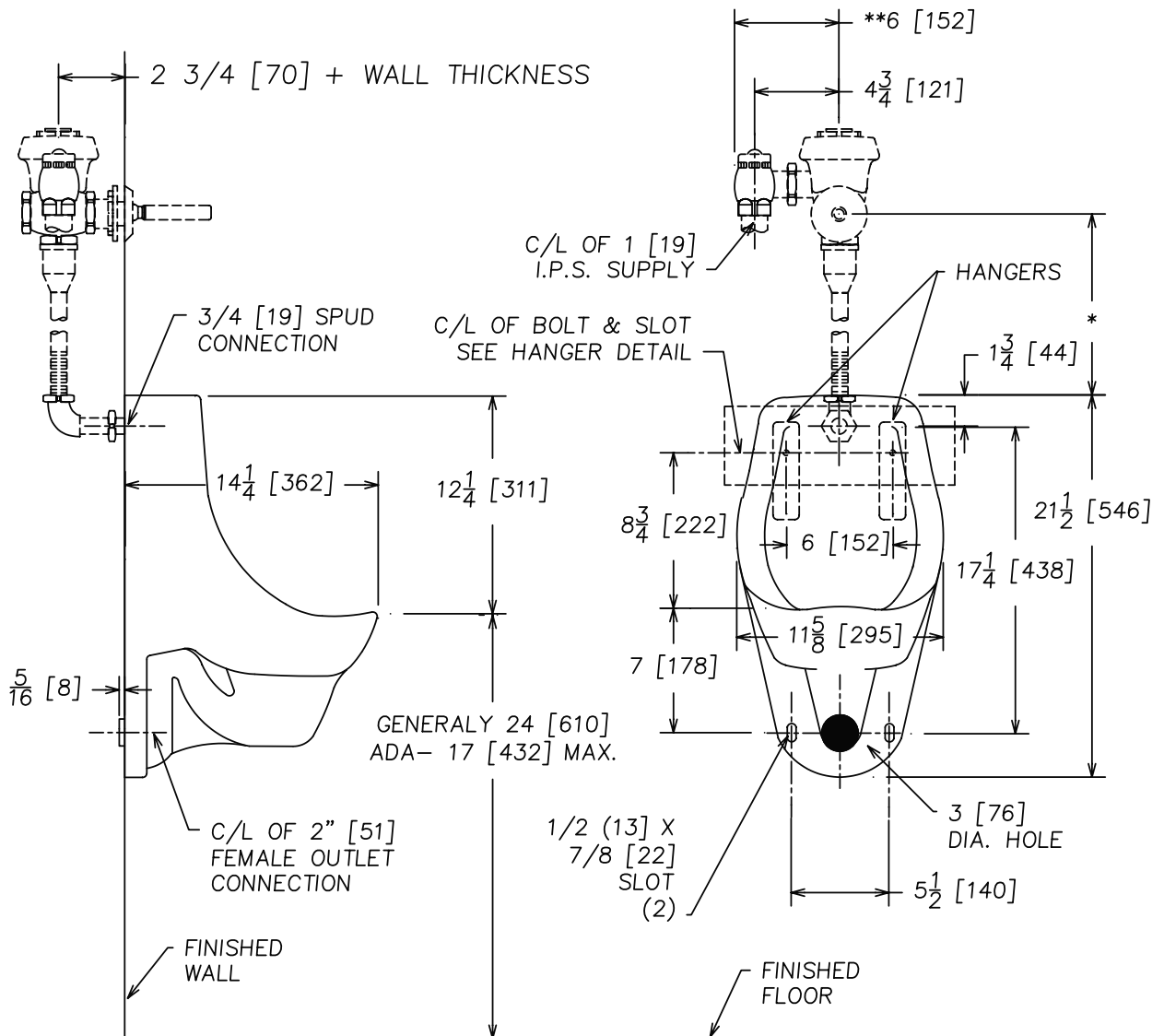
Sloan "Royal"	#195-1
Delany "Flushboy"	#F571-1
Zum "Aquaflush"	#Z-6195-WS1

**Support:** Wall mounted with supplied concealed hangers and supporting bolts

**NOTES**

- Fixture conforms to ANSI/ASME A112.19.2M standard.
- For efficient operation of the urinal, a minimum flowing water pressure of 15 P.S.I. is required at the valve.
- ADA Compliant when mounted at 17" maximum height.





NOTE: \* VARIABLE-CHECK WITH MANUFACTURER OF FLUSHVALVE FOR PROPER ROUGHING-IN DIMENSION.

\*\* ROUGH-IN FOR ANGLE STOP REQUIRED.

\*\*\* FIXTURE COMPLIES WITH AMERICANS WITH DISABILITIES ACT WHEN MOUNTED AT RIM HEIGHT OF 17".