



Siphon Jet Wall Hung Urinal
Vitreous China

FEATURES

- 7308 Manhattan™

7308 Manhattan™ (1.0 gpf / 3.8 lpf), vitreous china wall hung, siphon-jet action urinal with integral trap, 1 1/4" top inlet, 14" lip, 2" I.P.S. female outlet connection.

Valve: Flushvalve with vacuum breaker, 1" angle screwdriver stop and flush connection. Suggested (1.0 gpf / 3.8 lpf) gallon flushvalves are:*

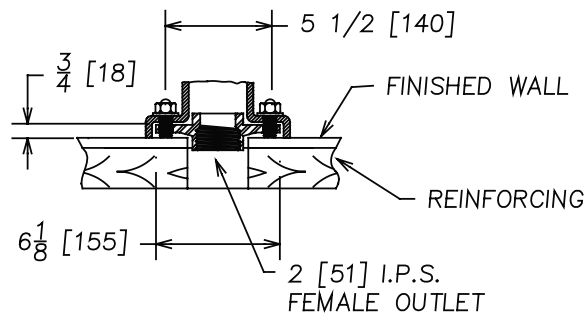
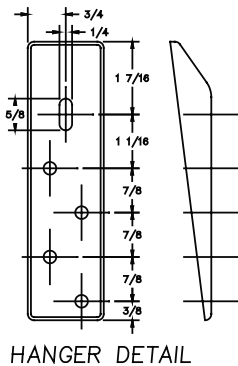
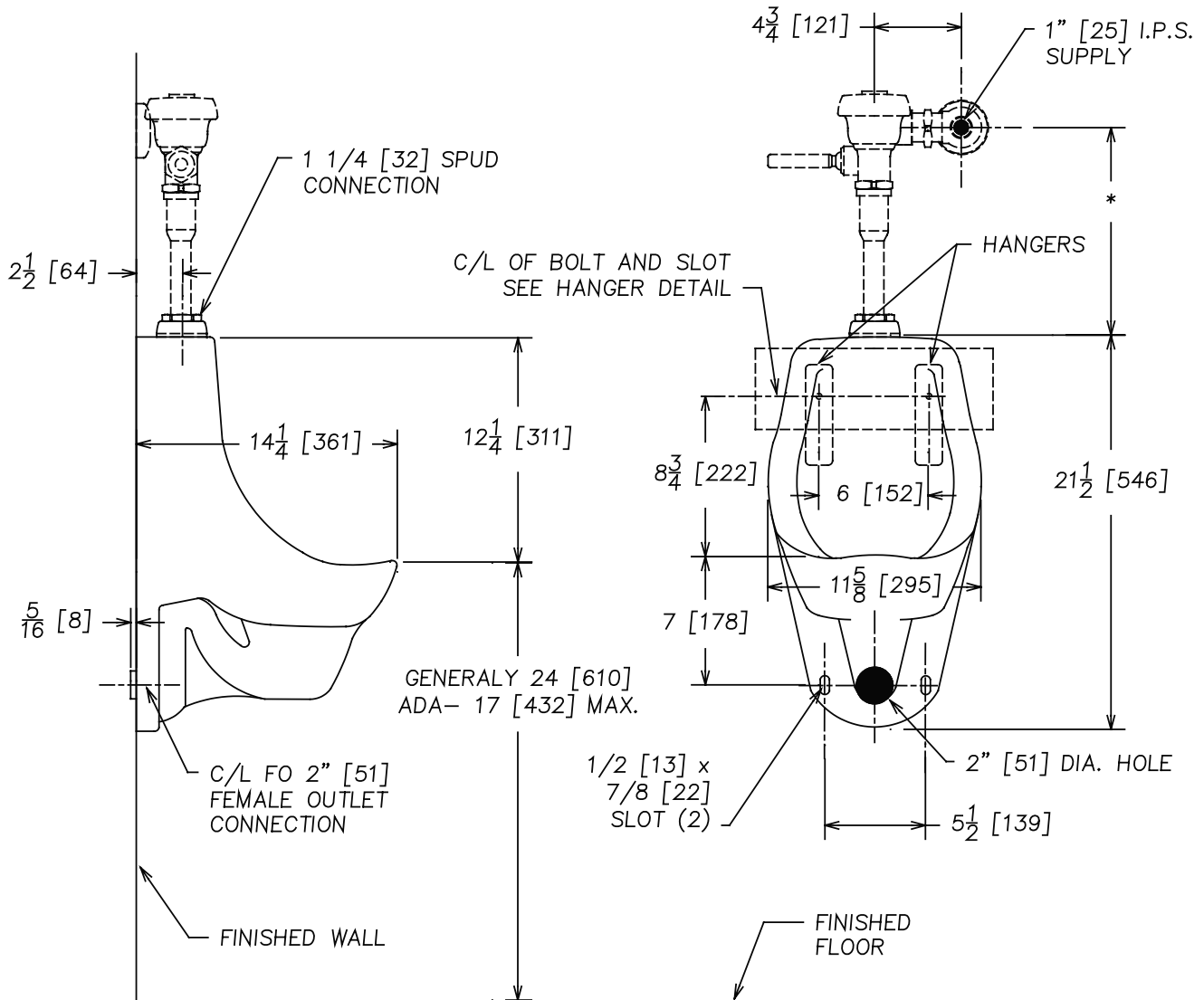
<i>Sloan "Royal"</i>	<i>#180-1</i>
<i>Delany "Flushboy"</i>	<i>#F452-1</i>
<i>Zurn "Aquaflush"</i>	<i>#Z-6001-WS1</i>

Support: Wall mounted with supplied concealed hangers and supporting bolts.

NOTES

- *Fixture conforms to ANSI/ASME A112.19.2M standard.*
- *For efficient operation of the urinal, a minimum flowing water pressure of 15 P.S.I. is required at the valve.*
- *ADA Compliant when mounted at 17" maximum height.*





NOTE: * VARIABLE-CHECK WITH MANUFACTURER OF FLUSHVALVE FOR PROPER ROUGHING-IN DIMENSION.

** FIXTURE COMPLIES WITH AMERICANS WITH DISABILITIES ACT WHEN MOUNTED AT RIM HEIGHT OF 17".