



semi-pedestal lavatory



NOTES

- Faucet supplied by others

SPECIFICATIONS

- 129V Barrier-free wallhung access lavatory
22-1/8" x 21-1/4" (562mm x 540mm)
4" (102mm) centre punching
- 129S Barrier-free wallhung access lavatory
22-1/8" x 21-1/4" (562mm x 540mm)
8" (203mm) centre punching
- 129H Barrier-free wallhung access lavatory
22-1/8" x 21-1/4" (562mm x 540mm)
single-hole centre punch
- 132 Contact guard wheelchair access
Semi-pedestal for 1-29 series lavatory



SERENA™ SEMI-PEDESTAL WHEELCHAIR ACCESS LAVATORY

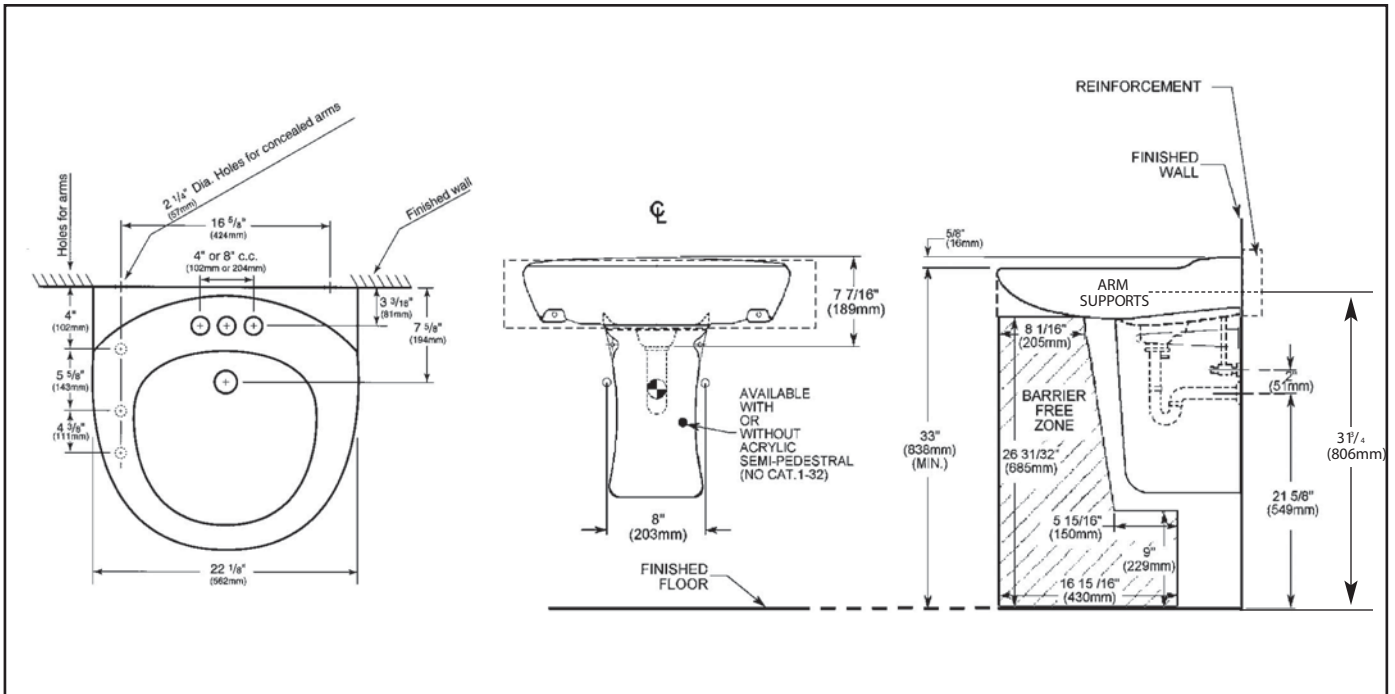
An easy access lavatory that is elegant and also meets the growing needs for handicapped products.

Designed with the Semi-Ped (sold separately) to accommodate wheelchair access in a hospital or institutional setting, the Serena™ provides a very attractive addition to any bathroom décor. The lavatory features a large oval shaped basin, a large back ledge area and an integral rear splash rim. Must be installed with concealed wall carriers.

Available with standard 4" (102mm), 8" (203mm) and centre punchings, the Serena™ with Semi-Ped is CSA certified and meets CSA, National and all Provincial Barrier-Free Building Codes. With the Semi-Ped or alone, the Serena™ is a perfect design reflecting elegance, adaptability and affordability - and Crane's continuing commitment to provide quality products that meet the needs of our customers.



Rough-In Specifications



Important Dimensions may vary plus or minus 1/2" (13mm) and are subject to revision.

Physical Properties

MODEL	PUNCHING	SHAPE	BASIN OUTSIDE DIMENSION	BASIN INSIDE DIMENSION	SHIPPING WEIGHT
129V	4" [102 mm]	Oval	22-1/8" x 21-1/4" [562 mm x 540 mm]	17-7/8" x 13-15/16" [454 mm x 354 mm]	37 lbs [15 kg]
129S	8" [203 mm]				
129H	Single-hole				
132	OUTSIDE DIMENSION: 14-3/8" x 9-1/2" x 10-3/8" [365 mm x 241 mm x 265 mm]				15.4 lbs [7 kg]

FEATURES

- 4" (102 mm) and 8" (203 mm) centre punching
- Large deck area & raised rear ledge
- Available in wallhung or barrier-free, with or without semi-pedestal
- Arm supports and carriers supplied by others
- Mounted with steel carrier

OPTIONS

- Less overflow on special order
- Soap valve hole (left or right side) on special order

SEMI-PED FEATURES

- Easy Installation
- Light weight for easy handling
- One person installation

PRODUCT STANDARDS

- Canadian Standards Association on Plumbing Fixtures CSA B45
- Meets CSA and All Provincial Barrier-Free Building Codes