



Wall Hung Lavatory Vitreous China

FEATURES

- 1412V Harwich™

1412V Harwich™ (4" centerset) vitreous china lavatory with contoured rectangular basin, front overflow, two soap depressions and concealed hanger. Drilled for carrier with concealed arms.

- 1412S Harwich™

1412S Harwich™ (8" centerset) vitreous china lavatory with contoured rectangular basin, front overflow, two soap depressions and concealed hanger. Drilled for carrier with concealed arms.

- 14121H Harwich™

14121H Harwich™ (one hole centerset) vitreous china lavatory with contoured rectangular basin, front overflow, two soap depressions and concealed hanger. Drilled for carrier with concealed arms.

- 14122H Harwich™

14122H Harwich™ (2 hole centerset 8"centers) vitreous china lavatory with contoured rectangular basin, front overflow, two soap depressions and concealed hanger. Drilled for carrier with concealed arms.

Supports: * Built-in wall or chair carrier with concealed arms. (Wall hanger supplied with lavatory.)

Trim:

Waste:

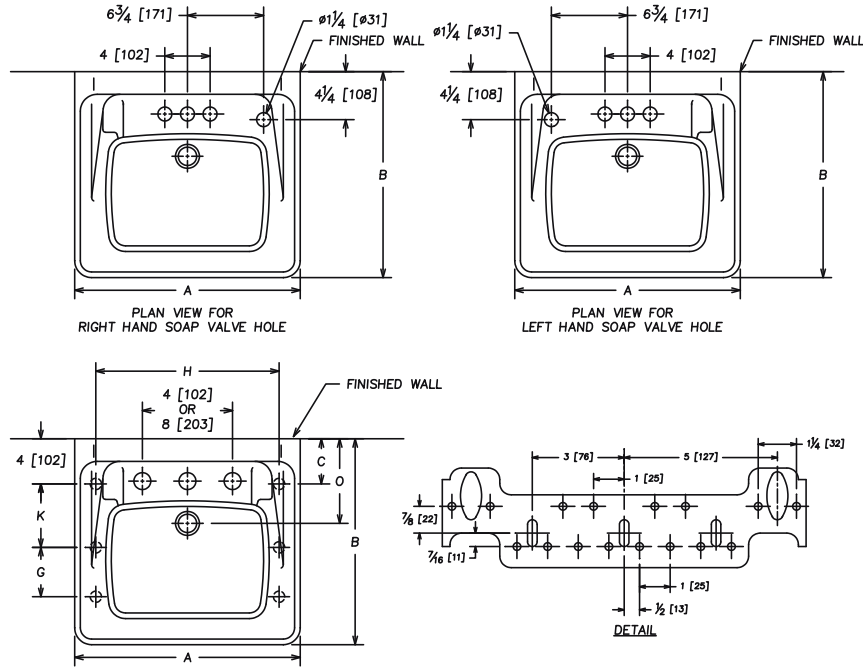
Supplies:

Trap:

NOTES

- Fixture conforms to ANSI/ASME A112.19.2M standard.
- Size: Lavatory 18" x 15", Basin 13 ¼" x 7"
Lavatory 20" x 18", Basin 14 ½" x 10"
Lavatory 24" [610] x 21", Basin 16 ⅝" x 10 ½"
- 24" x 21" and 20" x 18" model complies with Americans With Disabilities Act when mounted at rim height of 34" maximum.
- Built-in wall or chair carrier furnished by others.Á
- Not for use with carrier arm installation when punched for soap dispenser.
- 18" x 15" model requires 3/8" offset concealed arms for chair carrier applications



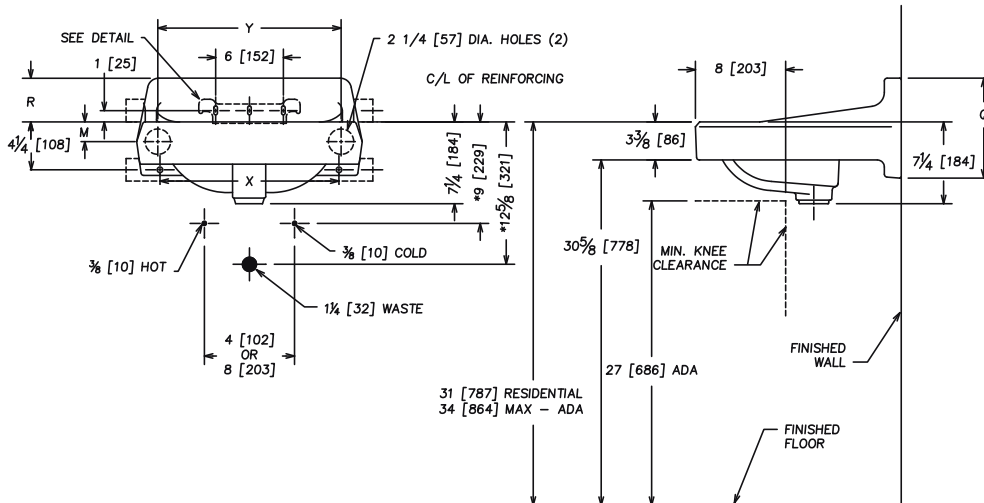


DIMENSIONS - STANDARD

SIZE	A	B	C	O	X	G	H	K	M	Q	R	Y
18 x 15	18	15 1/2	3	6 3/4	15	4	15 3/4	3 7/8	1 1/2	9 1/2	4 1/2	15
20 x 18	20	18 1/4	3 3/4	7 1/2	15 7/8	4 3/8	16 1/4	5 5/8	1 3/4	8 7/8	3 7/8	16 1/4
24 x 21	24	21	4	8 3/4	19 3/4	7 1/8	19 1/2	5 5/8	1 3/4	9 1/2	4 1/2	19 1/2

DIMENSIONS - MILLIMETERS

SIZE	A	B	C	O	X	G	H	K	M	Q	R	Y
457 x 381	457	394	76	171	381	102	400	98	38	241	114	381
508 x 457	508	464	95	191	403	111	413	143	44	225	98	413
610 x 533	533	533	102	222	503	181	495	143	44	241	114	495



NOTE: * SUGGESTED DIMENSION-VARIABLE DEPENDING UPON TYPE OF SUPPLY AND WASTE.

** 24" X 21" AND 20" X 18" MODEL COMPLIES WITH AMERICANS WITH DISABILITIES ACT WHEN MOUNTED AT RIM HEIGHT OF 34" MAXIMUM.

ROUGHING-IN DIMENSIONS FOR CHAIR CARRIER SHOULD BE OBTAINED DIRECT FROM MANUFACTURER OF CARRIER. 18 X 15 SIZE REQUIRES 3/8" [10] OFFSET CUP/OFFSET ARMS. ALL ANCHOR HOLES MUST BE USED WITH WALL HANGER TO ENSURE PROPER INSTALLATION.

NOT FOR USE WITH CARRIER ARM INSTALLATION WHEN PUNCHED FOR SOAP DISPENSER

IMPORTANT: Roughing-in dimensions may vary 1/2" [13] and are subject to change or cancellation without prior notice. No responsibility is assumed for use of superseded or voided leaflets.