

CRANE IRON™ 5' RECESS ABOVE FLOOR ROUGH-IN BATH

- 2730 Right hand outlet
- 2731 Left hand outlet

Product Features:

- Acid resisting, heavy gauge porcelain enameled steel
- One-piece recess bath
- Reinforced with a structural composite material bonded to the tub for strength, sound deadening and heat retention
- Heavy duty, slip-resistant bottom
- Above floor rough-in
- Integral, pre-leveled base
- Capacity: 40 Gallons
- Shipping weight: 100 lbs.

Nominal Dimensions:

1524 x 762 x 422mm
(60" x 30" x 16⁵/₈")

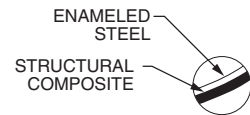
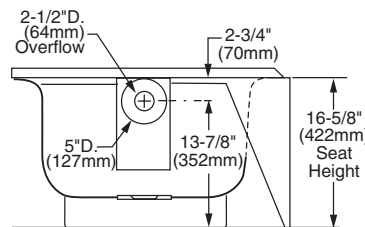
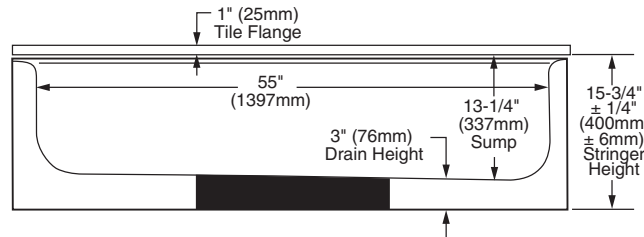
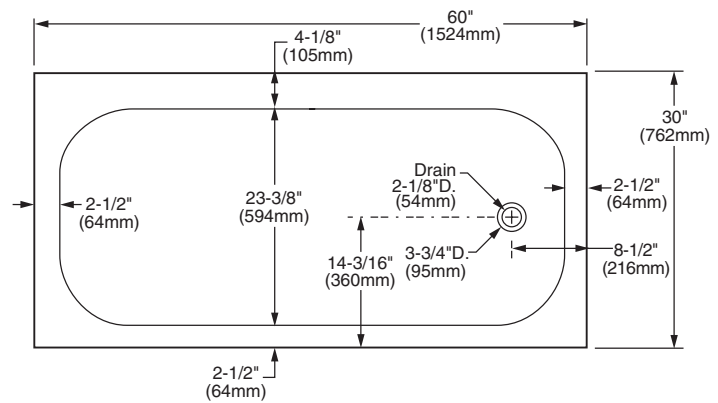
Compliance Certifications – Conforms to the Following Specifications:


- ANSI A112.19.4M
- ASTM F-462 Slip-Resistance
- IAPMO (UPC)

To Be Specified:

- Trim*:
- Waste:
- Color:

* See faucet section for additional models available



 MEETS THE AMERICANS WITH DISABILITIES ACT GUIDELINES AND ANSI A117.1 REQUIREMENTS FOR ACCESSIBLE AND USEABLE BUILDING FACILITIES-CHECK LOCAL CODES. INSTALL WITH SEAT AT HEAD END.

NOTE: FIXTURE SHOW WITH RIGHT HAND OUTLET. FOR BATH WITH LEFT HAND OUTLET REVERSE DIMENSIONS.

IMPORTANT: Rough-in dimensions may vary within the range of tolerances established by ASME A112.19.4.