

ECO PLACIDUS ELONGATED TOILET

- Wall-mounted flushometer valve toilet
- Vitreous china
- Meets definition for HET (High Efficiency Toilet)
- High Efficiency (4.8 Lpf/1.28 gpf)
- Will also function at 1.1gpf and 1.6gpf with a properly set dual flush valve
- Condensation channel
- Elongated bowl
- Powerful direct-fed siphon jet action
- 1-1/2" inlet spud
- Fully-glazed 2-1/8" trapway
- 10" x 12" water surface area
- 100% factory flush tested

- 3446NS** Elongated bowl only, top spud
- 3H722NS** Elongated bowl only, top spud with slotted rim for bedpan holding
- 3449NS** Elongated bowl only, back spud

Component Parts:

- 047007-0070A** Inlet Spud (furnished with bowl)

Nominal Dimensions:

660 x 356 x 381mm
(26" x 14" x 15")

Recommended working pressure—between
25 psi at valve when flushing and 80 psi static

Fixture only, less seat, bolt caps, and
flushometer valve

Compliance Certifications -

Meets or Exceeds the Following Specifications:

- ASME A112.19.2-2008/CSA B45.1-08 for Vitreous China Fixtures



SEE REVERSE FOR ROUGHING-IN DIMENSIONS

To Be Specified:

- Color: White
- Seat:
 - American Standard #5901.100 Heavy duty open front less cover
 - American Standard #5905.100 Extra heavy duty open front less cover
- Flushometer Valve:
 - American Standard Selectronic™ #6065.121.002 DC Power (Top Spud)
 - American Standard Selectronic™ #6065.222.007 DC Power (Concealed Back Spud)
 - American Standard Selectronic™ #6067.222.007 AC Power (Concealed Back Spud)
 - American Standard Selectronic™ #6068.222.007 Multi AC Power (Concealed Back Spud)

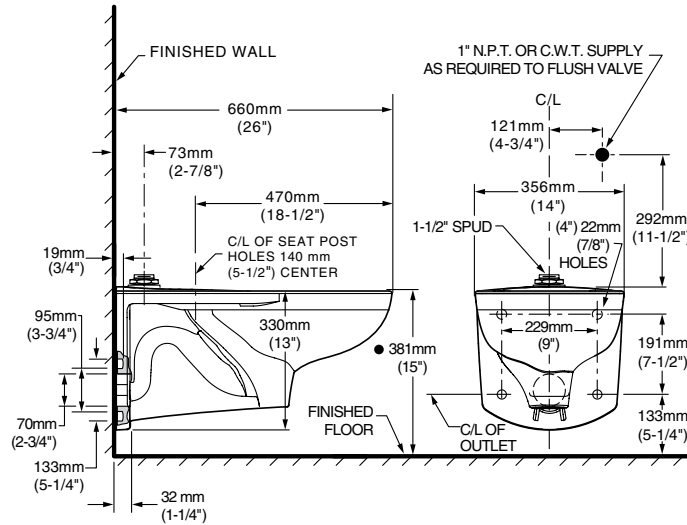


MEETS THE AMERICANS WITH DISABILITIES ACT GUIDELINES AND ANSI A117.1 REQUIREMENTS FOR ACCESSIBLE AND USABLE BUILDING FACILITIES - CHECK LOCAL CODES.

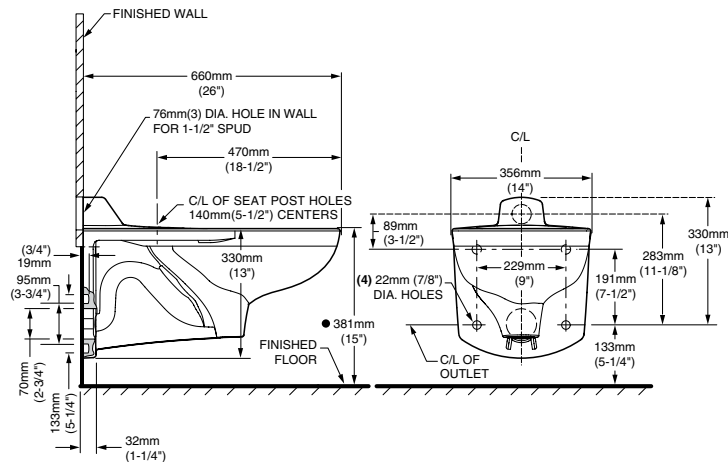
- When installed so top of seat is 432 to 483mm (17" to 19") from the finished floor.



**3446NS
3H722NS**



3449NS



NOTES:

● Toilet designed to meet ADA accessibility standards when top of seat height set at 432 to 483mm (17" to 19") from finished floor.

WASTE OUTLET SEAL RING MUST BE NEOPRENE OR GRAPHITE-FELT (WAX RING NOT RECOMMENDED).

SUGGESTED 2mm (1/16) CLEARANCE BETWEEN FACE OF WALL AND BACK OF BOWL. TO COMPLY WITH AREA CODE GOVERNING THE HEIGHT OF VACUUM BREAKER ON THE FLUSHOMETER VALVE, THE PLUMBER MUST VERIFY DIMENSIONS SHOWN FOR SUPPLY ROUGHING.

FLUSHOMETER VALVE NOT INCLUDED WITH FIXTURE AND MUST BE ORDERED SEPARATELY.

CARRIER FITTING AS REQUIRED TO BE FURNISHED BY OTHERS. PROVIDE SUITABLE REINFORCEMENT FOR ALL WALL SUPPORT.

IMPORTANT: Dimensions of fixtures are nominal and may vary within the range of tolerances established by ANSI Standard A112.19.2. These measurements are subject to change or cancellation. No responsibility is assumed for use of superseded or voided pages

ECO PLACIDUS ELONGATED TOILET

- Wall-mounted flushometer valve toilet
- Vitreous china
- Low-consumption (6.0 Lpf/1.6 gpf)
- Condensation channel
- Elongated bowl
- Powerful direct-fed siphon jet action
- 1-1/2" inlet spud
- Fully-glazed 2-1/8" trapway
- 10" x 12" water surface area
- 100% factory flush tested

- 3446NS** Elongated bowl only, top spud
- 3H722NS** Elongated bowl only, top spud with slotted rim for bedpan holding
- 3449NS** Elongated bowl only, back spud as above, Universal Bowl

Component Parts:

- 047007-0070A** Inlet Spud (furnished with bowl)

Nominal Dimensions:

660 x 356 x 381mm
(26" x 14" x 15")

Recommended working pressure—between 25 psi at valve when flushing and 80 psi static

Fixture only, less seat, bolt caps, and flush valve

Compliance Certifications -

Meets or Exceeds the Following Specifications:

- ASME A112.19.2-2008/CSA B45.1-08 for Vitreous China Fixtures



SEE REVERSE FOR ROUGHING-IN DIMENSIONS

To Be Specified:

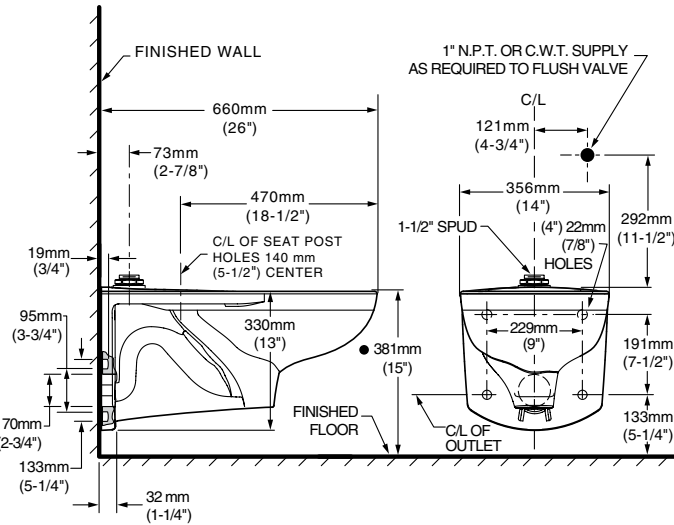
- Color: White
- Seat:
 - American Standard #5901.100 Heavy duty open front less cover
 - American Standard #5905.100 Extra heavy duty open front less cover
- Flushometer Valve:
 - American Standard Selectronic™ #6065.161.002 DC Power (Top Spud)
 - American Standard Selectronic™ #6065.262.007 DC Power (Concealed Back Spud)
 - American Standard Selectronic™ #6067.262.007 AC Power (Concealed Back Spud)
 - American Standard Selectronic™ #6068.262.007 Multi AC Power (Concealed Back Spud)



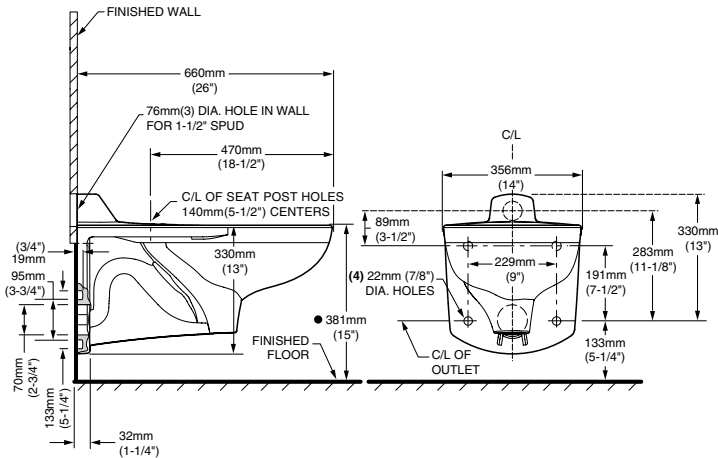
MEETS THE AMERICANS WITH DISABILITIES ACT GUIDELINES AND ANSI A117.1 REQUIREMENTS FOR ACCESSIBLE AND USABLE BUILDING FACILITIES - CHECK LOCAL CODES.

- When installed so top of seat is 432 to 483mm (17" to 19") from the finished floor.

**3446NS
3H722NS**



3449NS



NOTES:

● Toilet designed to meet ADA accessibility standards when top of seat height set at 432 to 483mm (17" to 19") from finished floor.

WASTE OUTLET SEAL RING MUST BE NEOPRENE OR GRAPHITE-FELT (WAX RING NOT RECOMMENDED).

SUGGESTED 2mm (1/16) CLEARANCE BETWEEN FACE OF WALL AND BACK OF BOWL. TO COMPLY WITH AREA CODE GOVERNING THE HEIGHT OF VACUUM BREAKER ON THE FLUSHOMETER VALVE, THE PLUMBER MUST VERIFY DIMENSIONS SHOWN FOR SUPPLY ROUGHING.

FLUSHOMETER VALVE NOT INCLUDED WITH FIXTURE AND MUST BE ORDERED SEPARATELY.

CARRIER FITTING AS REQUIRED TO BE FURNISHED BY OTHERS. PROVIDE SUITABLE REINFORCEMENT FOR ALL WALL SUPPORT.

IMPORTANT: Dimensions of fixtures are nominal and may vary within the range of tolerances established by ANSI Standard A112.19.2.

These measurements are subject to change or cancellation. No responsibility is assumed for use of superseded or voided pages