

**FLORMONT™ RelaxedHeight™**  
**BACK OUTLET TOILET**

**3932N**

- Vitreous china
- **Floor-mounted, back-outlet toilet**
- Low-consumption (1.6 gpf/6.0 Lpf)
- Elongated 17" high bowl for accessible applications
- Gravity fed siphon jet flush action
- Fully-glazed 1-7/8" trapway
- 8" x 7-1/2" water surface area
- Polished chrome trip lever
- 4 bolt caps included

**3191** RelaxedHeight™ elongated bowl

**3544N** Flormont tank

**Nominal Dimensions:**

762 x 505 x 797mm  
(30" x 19-7/8" x 31-3/8")

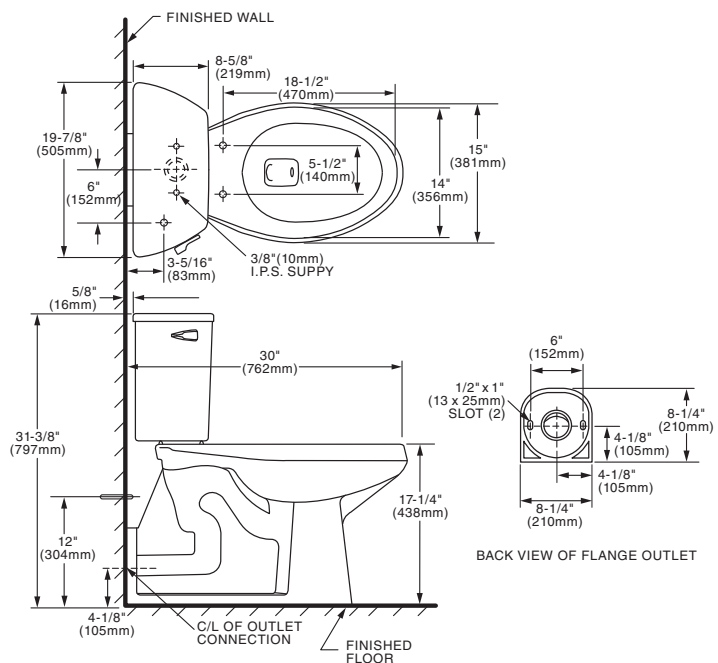
Fixture only, seat and supply by others

Recommended working pressure range  
25 psi - 80 psi

**Compliance Certifications -**  
**Meets or Exceeds the Following Specifications:**  
• ASME A112.19.2-2008 / CSA B45.1-08 for Vitreous China Fixtures

**To Be Specified:**

- Color:  White
- Seat: Crane 8080 Lift 'n' Clean™ elongated, heavy duty plastic, closed front toilet seat with cover. Seat can be removed quickly for easy cleaning.
- Alternate Seat:
- Supply with Stop:



BACK VIEW OF FLANGE OUTLET

**NOTES:**

**WASTE OUTLET SEAL RING MUST BE NEOPRENE OR GRAPHITE-FELT (WAX RING NOT RECOMMENDED).**

SUPPLY NOT INCLUDED WITH FIXTURE AND MUST BE ORDERED SEPARATELY.

DISTANCE FROM FLOOR TO CLOSET FLANGE CENTERLINE (ROUGH-IN) MUST BE 4" (102 MM) WITH FLANGE SURFACE FLUSH TO 1/16" (1.5MM) MAX. BEYOND FINISHED WALL.

\* DIMENSION SHOWN FOR LOCATION OF SUPPLY IS SUGGESTED. FOR ADDITIONAL INFORMATION REFER TO INSTALLATION INSTRUCTIONS SUPPLIED.

IMPORTANT: Dimensions of fixtures are nominal and may vary within the range of tolerances established by ASME A112.19.2-2008 / CSH B45.1-08. These measurements are subject to change or cancellation. No responsibility is assumed for use of superseded or voided pages.